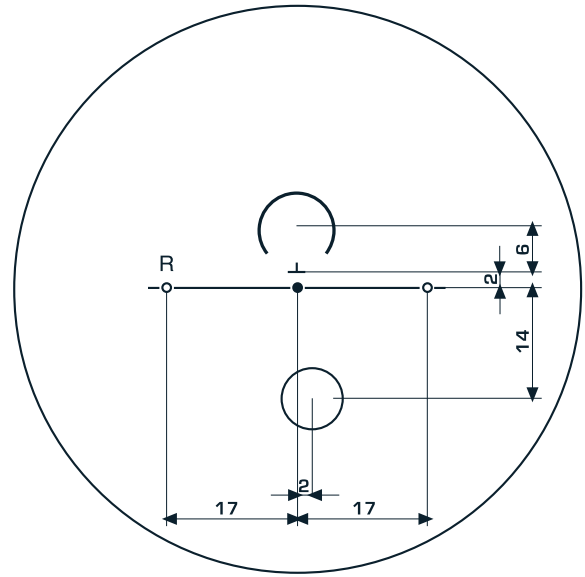


INDICE	1.56
VALOR ABBE	43
DIAMETRO	75
GEOMETRIA	ASFERICA
DENSIDAD	1.14
TRANSMISION	>98%



- ESF	ADICION								
	+1.00	+1.25	+1.50	+1.75	+2.00	+2.25	+2.50	+2.75	+3.00
-0.00									
-0.25									
-0.50									
-0.75									
-1.00									
-1.25									
-1.50									
-1.75				<b>75</b>					
-2.00									
-2.25									
-2.50									
-2.75									
-3.00									
-3.25									
-3.50									
-3.75									
-4.00									

+ ESF	ADICION								
	+1.00	+1.25	+1.50	+1.75	+2.00	+2.25	+2.50	+2.75	+3.00
+0.00									
+0.25									
+0.50									
+0.75									
+1.00									
+1.25									
+1.50									
+1.75				<b>75</b>					
+2.00									
+2.25									
+2.50									
+2.75									
+3.00									
+3.25									
+3.50									
+3.75									
+4.00									

## TRATAMIENTOS



ENDURECIDO



ANTIRREFLEJANTE



UV



HIDROFOBICO



ANTIESTATICO